

ATN OTS-17

THERMAL MULTI-PURPOSE SYSTEM



operator's manual

Important Export Restrictions! Commodities, products, technologies and services contained in this manual are subject to one or more of the export control laws and regulations of the U.S. Government and they fall under the control jurisdiction of either the US Department of State or the US BIS-Department of Commerce. It is unlawful and strictly prohibited to export, or attempt to export or otherwise transfer or sell any hardware or technical data or furnish any service to any foreign person, whether abroad or in the United States, for which a license or written approval of the U.S. Government is required, without first obtaining the required license or written approval from the Department of the U.S. Government having jurisdiction. Diversion contrary to U.S. law is prohibited.



**AMERICAN
TECHNOLOGIES
NETWORK
CORP.**

Manual (OTS-17, ver. 2011) Revision 6 - 2011

The information in this manual furnished for information use only, is subject to change without notice, is not to be construed as a commitment by ATN Corp. ATN Corp. assumes no responsibility or liability for any errors or inaccuracies that may appear in this book.

© 2011 ATN Corp. All right reserved.

SAFETY SUMMARY

STUDY CAREFULLY THIS MANUAL BEFORE TURNING ON AND OPERATING THIS PRODUCT.

CAUTIONS

The ATN OTS-17 thermal multi-purpose system are precision optical-electronic instruments and requires careful handling. To provide safe use of the systems the following instructions should be observed:

- Do not dismantle the device.
- Keep the device clean; protect it from moisture, sharp temperature drops and shocks.
- Be careful not to touch the glass surfaces. If you put fingerprints on, or contaminate the glass surfaces, use only clean and soft materials to clean it.
- Do not leave the device in on position during stops in operation.
- Remove the battery from the device for the period of storage.

CAUTION:

**THIS PRODUCT CONTAINS NATURAL RUBBER LATEX WHICH
MAY CAUSE ALLERGIC REACTIONS**

WARNING

Do not permanently attach the camera to dynamic-mount applications that continuously transmit vibration (such as on vehicles or heavy machinery).

WARNING

Do not point the camera directly at any high-intensity objects that you must not view with your eyes (such as the sun or a welding arc). If you do, you will damage the camera.

WARNING

Operating OTS outside of its specified operating temperature range or voltage range can cause permanent damage and will void the warranty.

WARNING

Use the power button to turn the camera off before you remove power (remove batteries or disconnect external power supply).

WARNING

OTS operates over a wide operating temperature range (-20°C to +50°C). Not all AA batteries are specified over this same temperature span. Check the manufacturer's specifications of your selected battery to verify the valid temperature range.

WARNING

Do not use any battery other than a CR-123A lithium battery. DO NOT use any battery(ies) providing a (combined) voltage greater than 3.0 volts.

WARNING

Do not install batteries of different types (lithium with lithium-ion rechargeable). All batteries must be of the same type.

WARNING

Always replace ALL 2 batteries. If you install new batteries with used batteries, the result may be dangerous.

WARNING

Do not replace batteries in a possibly explosive environment, such as a gas station (or any place where you must turn off your vehicle engine). If you do, sparks can cause an explosion.

WARNING

Remove the batteries before you store the camera for extended periods (2 weeks or more).

WARNING

Do not carry batteries in pockets containing metal objects such as coins, keys, etc. Metal objects can cause the batteries to short circuit and become very hot. In the case of lithium batteries, a short circuit could cause them to explode.

WARNING

Observe battery manufacturer's guidelines for safe handling and proper disposal of batteries.

EQUIPMENT LIMITATIONS

- The OTS detector spectral band (7 to 14 mkm) provides a better penetration through smoke, smog, dust, water vapor etc.
- Infrared radiation does not travel through glass and therefore the monocular does not sense objects if they are behind a glass window.

TABLE OF CONTENTS

	pg.
SECTION I. INTRODUCTION	1-1
1.1 General Information	1-2
1.1.1. Scope	1-2
1.1.2. Reports	1-2
1.1.3. Storage	1-2
1.1.4. Warranty Information	1-3
1.2. Description and Data	1-5
1.2.1. Description	1-5
1.2.2. OTS Standard Components	1-6
1.2.3. OTS Optional Components	1-8
1.2.4. Specifications	1-9
1.2.5. Mechanical Functions	1-11
1.2.6. Optical Functions	1-11
1.2.7. Electrical Functions	1-12
SECTION II. ASSEMBLY AND PREPARATION	2-1
2.1. Preparation	2-2
2.1.1. Preparation for use	2-2
2.1.2. Examination for operation	2-3
2.2. Assembly	2-4
2.2.1. Video output	2-4
2.2.2. Head Mount	2-4
2.2.3. Helmet Mount	2-5
2.2.4. Dual Bridge Adapter	2-6
2.2.2. 2X Afocal Lens	2-7
2.2.3. Weapon Mount	2-8
SECTION III. OPERATION	3-1
3.1. General Information	3-2
3.1.1. General	3-2
3.1.2. Controls and Indication	3-2
3.2. Operating procedure	3-4
3.2.1. Turning On	3-4

3.2.2. Focusing	3-4
3.2.3. Polarity and Color modes	3-5
3.2.4. Brightness	3-5
3.2.5. Recalibrate Switch	3-5
3.2.6. Zoom	3-6
3.2.7. Shut Down Operations	3-6
3.2.8. Weapon Mount Adjustment	3-6
3.2.9. Reticle patterns	3-7
SECTION IV. MAINTENANCE INSTRUCTIONS	4-1
4.1. Preventive Maintenance Checks and Services (PMCS)	4-2
4.1.1. Purpose of PMCS	4-2
4.1.2. Frequency of Performing PMCS	4-2
4.2. Troubleshooting	4-4
4.2.1. General	4-4
4.2.2. Troubleshooting Procedures	4-4
4.3. Maintenance Procedures	4-5
4.3.1. Scope Maintenance	4-5
4.3.2. Cleaning Procedures	4-5
4.3.3. Preparing for Extended Storage	4-6
4.3.4. Headmount Maintenance	4-6
Appendix A. Spare Parts List	A-1
For Technical Information	INFO-1

SECTION I

INTRODUCTION

1.1 GENERAL INFORMATION

1.1.1. SCOPE

This manual contains instructions for use in operating and maintaining the ATN OTS-17 thermal multi-purpose systems. Throughout this manual, the ATN OTS-17 will be referred to as the scope or OTS.

1.1.2. REPORTS

Reports from the user on recommendations for improvements are encouraged. Send reports to the address below.

American Technologies Network Corp.
1341 San Mateo Avenue
South San Francisco, CA 94080
(800) 910-2862
(650) 989-5100
(650) 875-0129 fax
info@atncorp.com
www.atncorp.com

1.1.3. STORAGE

Storage of OTS should be done in the factory packing and after a thorough PMCS as outlined in Section 4.1. of this manual. This will ensure the scope remains in mission ready condition during storage. Battery should be stored separately from the scope.

The scope should not be placed on the floor, in any area exposed to high temperatures or direct sunlight. Presence of acid and alkaline vapor, as well as of other aggressive admixtures in the air is unacceptable.

1.1.4. WARRANTY INFORMATION

ONE YEAR PRODUCT WARRANTY

This product is guaranteed to be free from manufacturing defects in material and workmanship under normal use for a period of 1 (one) years from the date of purchase. In the event a defect that is covered by the foregoing warranty occurs during the applicable period stated above, ATN, at its option, will either repair or replace the product, and such action on the part of ATN shall be the full extent of ATN's liability, and the Customer's sole and exclusive remedy. This warranty does not cover a product (a) used in other than its normal and customary manner; (b) subjected to misuse; (c) subjected to alterations, modifications or repairs by the Customer or by any party other than ATN without prior written consent of ATN; (d) special order or "close-out" merchandise or merchandise sold "as-is" by either ATN or the ATN dealer; or (e) merchandise that has been discontinued by the manufacturer and either parts or replacement units are not available due to reasons beyond the control of ATN. ATN shall not be responsible for any defects or damage that in ATN's opinion is a result from the mishandling, abuse, misuse, improper storage or improper operation, including use in conjunction with equipment which is electrically or mechanically incompatible with or of inferior quality to the product, as well as failure to maintain the environmental conditions specified by the manufacturer. This warranty is extended only to the original purchaser. Any breach of this warranty shall be waived unless the customer notifies ATN at the address noted below within the applicable warranty period.

The customer understands and agrees that except for the foregoing warranty, no other warranties written or oral, statutory, expressed or implied, including any implied warranty of merchantability or fitness for a particular purpose, shall apply to the product. All such implied warranties are hereby and expressly disclaimed.

LIMITATION OF LIABILITY

ATN will not be liable for any claims, actions, suits, proceedings, costs, expenses, damages or liabilities arising out of the use of this product. Operation and use of the product are the sole responsibility of the Customer. ATN's sole undertaking is limited to providing the products and services outlined herein in accordance with the terms and conditions of this Agreement. The provision of products sold and services performed by ATN to the Customer shall not be interpreted, construed, or regarded, either expressly or implied, as being for the benefit of or creating any obligation toward any third party of legal entity outside ATN and the Customer; ATN's obligations under this Agreement extend solely to the Customer. **ATN's liability hereunder for damages, regardless of the form or action, shall not exceed the fees or other charges paid to ATN by the customer or customer's dealer. ATN shall not, in any event, be liable for special, indirect, in-**

cidental, or consequential damages, including, but not limited to, lost income, lost revenue, or lost profit, whether such damages were foreseeable or not at the time of purchase, and whether or not such damages arise out of a breach of warranty, a breach of agreement, negligence, strict liability or any other theory of liability.

PRODUCT WARRANTY REGISTRATION

In order to validate the warranty on your product, ATN must receive a completed Product Warranty Registration Card for each unit or complete warranty registration on our website at www.atncorp.com. Please complete the included form and immediately mail it to our Service Center: ATN Corporation, 1341 San Mateo Avenue, South San Francisco, CA 94080.

OBTAINING WARRANTY SERVICE

To obtain warranty service on your unit, End-user must notify ATN service department by calling **800-910-2862** or **650-989-5100** or via e-mail service@atncorp.com to receive a Return Merchandise Authorization number (RMA). When returning please take or send the product, postage paid, with a copy of your sales receipt to our service center, ATN Corporation at the address noted above. All merchandise must be fully insured with the correct postage; ATN will not be responsible for improper postage or, missing or damaged merchandise during shipment. When sending product back, please clearly mark the RMA# on the outside of the shipping box. Please include a letter that indicates your RMA#, Name, Return Address, reason for service return, Contact information such as valid telephone numbers and/or e-mail address and proof of purchases that will help us to establish the valid start date of the warranty. **Product merchandise returns that do not have an RMA listed may be refused or a significant delay in processing may occur.** Estimated Warranty service time is 10-20 business days. End-user/customer is responsible for postage to ATN for warranty service. ATN will cover return postage/shipping after warranty repair to end-user/customer only if product is covered by aforementioned warranty. ATN will return product after warranty service by domestic UPS ground and/or domestic mail. Any other requested, required or international shipping method the postage/shipping fee will be the responsibility of the end-user/customer.

1.2. DESCRIPTION AND DATA

1.2.1. DESCRIPTION

A. PURPOSE

The OTS-17 are compact multi-purpose thermal imaging systems. They're built around state of the art uncooled thermal imaging technology, integrated DSP-based electronics and a compact, lightweight construction. These thermal imaging monoculars provide excellent image quality through total darkness, fog, smoke and other visual obstructions. Total darkness, camouflage or bright lights will not affect the sensitivity of these units.

The included and optional accessories make these models remarkably versatile. You can put it on a headset or on a helmet, connect it to another monocular to build a binocular system or use it as a weapon-mounted scope. The OTS-17 is ideal for Border Patrol Officers, Sport Shooting Enthusiasts, Private Protection, Police SWAT and Special Operations.



Figure 1-1. ATN OTS Thermal Imaging Systems

B. FEATURES

OTS has the following important features:

- Compact & lightweight design
- Digital imaging
- Fast Imaging (30hz) or Enhanced Imaging (60hz)
- Vanadium oxide (VOx) Microbolometer Uncooled

- Rugged design with mil. spec optics
- Menu functions include reticle type & color selection; windage & elevation adjustment
- Digital brightness control
- Polarity single button modes: black on white, white on black, 5 different color settings
- E-zoom
- Video output with RCA cable
- Extended battery life using two (2)
- CR123 lithium batteries (4-plus hours)
- 4 different reticles with choice of reticle color: black, red, green, or white
- MIL-STD-1913 (Picatinny Rail) Quick Release Mount
- Head/helmet mountable for hands-free use
- Weapon mountable
- One-year warranty
- Made in USA

1.2.2. OTS STANDARD COMPONENTS

The OTS-17 standard components are shown in Figure 1-2 and presented in Table 1-1.



Figure 1-2. OTS-17 Standard Components

Table 1-1. OTS-17 Standard Components

ITEM	DESCRIPTION	QTY
1	Scope	1
2	Soft Carrying Case	1
3	Headmount Assembly	1
4	Operator's Manual	1
5	Lithium Battery CR123A	2
6	Lens Tissue	1
7	Weapon Mounting System	1

1) Scope

The monocular thermal imaging device.

2) Soft Carrying Case

A protective bag used for storing of OTS and accessories.

3) Headmount Assembly

Adjustable universal assembly that secures the ATN OTS-17 to the operator's head providing hands free operation.

4) Operators Manual

Provides equipment description, use of operator controls and preventative maintenance checks and service.

5) Lithium Battery CR123A

Two CR123A lithium batteries used to power the unit.

6) Lens Tissue

Uses for cleaning of lenses surface.

8) **Weapon Mount System**

Uses for installation OTS-17 on a weapon using Piccatinny or Mil-STD 1913 rail and windage and elevation adjustment.

1.2.3. OTS OPTIONAL COMPONENTS

The OTS optional components are shown in Figure 1-4 and presented in Table 1-3.



Figure 1-4. OTS-17 Optional Components

Table 1-3. OTS-17 Optional Components

ITEM	DESCRIPTION	ITEM CODE
1	Flip-up Helmet Mount	ACTIOT14HMNT
2	Dual Bridge	ACTIOT14DB
3	RCA Video/power Adapter	ACTICARCA
4	2X Afocal Lens	ACTILENSOT2X
5	Hard Storage Case	ACCSHS1610

1) **Flip-up Helmet Mount**

Adjustable universal flip-up helmet mount assembly that secures the ATN OTS-17 to the operator's helmet providing hands free operation.

2) **Dual Bridge**

Adapter that allows the ATN OTS-17 to be attached to in a binocular configuration to the head- or helmet mount.

3) **RCA Video/power adapter**

RCA Video/power adapter used for video transmission and to connect external power sources.

4) **2X Afocal Lens**

Attaches to the ATN OTS-17 for enhanced range performance.

5) **Hard Storage Case**

A protective case used for shipping/storing OTS and accessories.

1.2.4. SPECIFICATIONS

The following tables provide information pertaining to the operational, electrical, mechanical, optical and environmental characteristics for the sights.

Table 1-4. Specifications

ITEM	OTS-17 30Hz	OTS-17 60Hz
Resolution	320 x 240 or 640 x 480	320 x 240 or 640 x 480
Frame Rate	30 Hz	60 Hz
Pixel Size	25 μm	17 μm
Detector Type	Uncooled Microbolometer	
Spectral Response	7-14 μm	
Magnification	1X (2X, 4X digital)	
Objective Focal Length	19 mm	
FOV	11° x 8°	
Focus Range	3m to infinity	
Exit Pupil	14mm	
Eye Relief	28 mm	
Thermal Sensitivity	< 0,1°C	

ITEM	OTS-17 30Hz	OTS-17 60Hz
Range to Detect a Human	475 m	
Output Format	Analog PAL / NTSC	
Display	Color OLED matrix	
Display Format	800 x 600 pxl	
Brightness Adjustment	Manual	
Contrast Adjustment	Automatic	
Power Supply	2 x 3V, 123A type	
Start-Up Time	< 5 sec	
Operating Time w/ one battery pack	4+ hrs	
Operating Temperature Range	from -30°C to +60°C	
Weatherproof	Yes	
Dimensions	195 x 81 x 105 mm	
Weight (w/batteries)	0.74 kg	

* ATN reserves the right to change the above specifications at any time without notice

1.2.5. MECHANICAL FUNCTION

The mechanical adjustments of the OTS sights allow for physical differences between individual operators using the system. The scope functions include the switchboard, refresh button, universal connector, eyepiece diopter adjustment ring, focusing ring, battery compartment cover, mounting rail. The mechanical controls are identified in Figure 1-4.

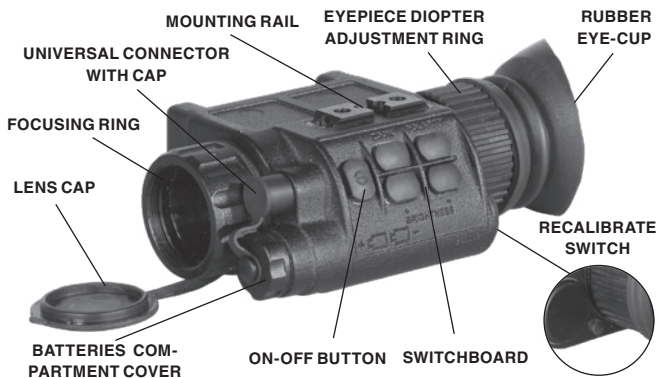


Figure 1-4. OTS Mechanical Controls

1.2.6. OPTICAL FUNCTION

The optical functions include an objective lens, thermal imaging detector and eyepiece. Infrared energy is emitted proportionally to the temperature of an object. The warmer the object, the more energy it emits. The infrared energy from the objects is focused by the optics, onto an infrared detector. The information from infrared detector is passed to electronics for image processing. The signal processing circuitry translates the infrared detector data into an image that can be viewed on the built-in OLED display. The image is observed through an eyepiece by operator.

1.2.7. ELECTRICAL FUNCTION

The electronic circuit is powered by replaceable batteries - either two 3.0 Volt lithium battery (CR123A).

Power from the batteries is supplied to the components through the OFF-ON switch button.

SECTION II

ASSEMBLY AND PREPARATION

2.1. PREPARATION

2.1.1. PREPARATION FOR USE

This chapter contains the information necessary to prepare the scope for operation. This includes unpacking, examination for damage, and battery installation.

A. UNPACKING

The following steps must be accomplished prior to each mission where the sight is used.

1. Open carrying case, remove the scope and check contents for completeness.
2. Inspect the scope for obvious evidence of damage to optical surfaces, body, eyecups, operation buttons, etc. Ensure that all optical surfaces are clean and ready for use. Clean with lens paper.

B. ATTACHMENT OF NECK LANYARD

To prevent damage due to dropping the scope, use the neck lanyard included with your equipment.

C. INSTALLATION OF BATTERY

WARNING

The lithium battery contains sulphur dioxide gas under pressure.

Do not heat, puncture, disassemble, short circuit, attempt to recharge or otherwise tamper with the batteries.

Turn off equipment if battery compartment becomes unduly hot. If possible, wait until the batteries have cooled before removing them.

If you inhale sulphur dioxide, seek medical attention.

The OTS will operate with two CR123A Lithium battery type.

CAUTION

Make certain the operation switch is in the OFF position before installing batteries.

Install CR123A Lithium batteries as follows.

1. Remove the battery cap by turning it counterclockwise.
2. Check to ensure the o-ring is present. If not, replace it.
3. Observe polarity, as indicated on the outside of the battery compartment, and insert two 3.0 Volt CR123A Lithium battery into the battery compartment, minus (-) end first (Figure 2-1).
4. Replace battery cap by pushing and turning it clockwise. Tighten it firmly to ensure a watertight seal.



Figure 2-1. Install batteries

2.1.2. EXAMINATION FOR OPERATION

Before getting started make sure to follow these steps:

1. Push ON-OFF button on the scope.
2. Make sure that the luminance in ocular is present.
3. Observe the scene, and adjust the diopter and/or lens for optimal image clarity.

2.2. ASSEMBLY

2.2.1. VIDEO OUTPUT

The OTS incorporates a sealed Connector used for video transmission and to connect external power sources. Video Cable attaches the scope to the video facilities for video recording or video transmission to the external display.

Connect the monocular to an external video display/recorder as follows:

1. Remove the protective cap from the connector socket.
2. Attach the video cable to the OTS output connector socket.
3. Attach the RCA plug of the video cable to a compatible jack on an external video display/recorder, or extension cable.



Figure 2-2. Attaching Video Cable

2.2.2. HEAD MOUNT

The operator can mount the monocular onto the head bracket using any of two Mounting Rail located on the opposite sides of the body, to be able to see through the eyepiece with his/her right or left eye correspondingly.

To mount the OTS-17 to a headmount, perform the following:

1. Loosen the screw (1). Push the button (2) and insert the rail of the OTS-17 into the socket (3) of the headset.
2. Place the headmount with OTS-17 onto a head.
3. Loosen the screw (1) and move the unit along the rail for eye relief adjustment.

4. The OTS-17 headmount has a flip-up mechanism. Push the button (4) on the side of mount and lift the unit up until the unit fixates in the top position.
5. Push the same button (4) to lower OTS-17 to the viewing position.
6. The OTS-17 can be placed onto the right or left eye. In order to readjust the monocular for use with the other eye, take the unit off the adapter, turn the unit to other side (for 180°) and mount it on the headmount adapter through the rail on this side. Push the button (5) and move the device along the slide-rail (6) for comfortable position.

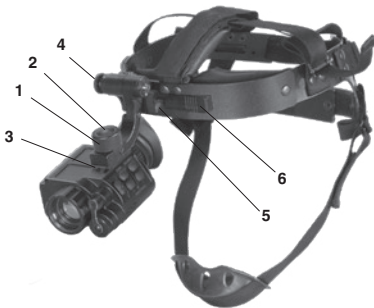


Figure 2-3. Attaching OTS to Head Mount

2.2.3. HELMET MOUNT

Attachment of OTS to a standard PASGT helmet. The helmet mount fits securely onto helmet via a rugged strapping device and grooved hooks. With helmet mount, the OTS can be positioned directly in front of user's eyes or flipped up out of viewing position.

1. Install the mount onto helmet as shown on the picture.
2. Tighten and fixate the straps (1)
3. Attach the monocular to the rail.

4. Loosen screw (3). Push button (2) and insert the bracket of the OTS into rail (4) of the helmet mount.
5. Place the helmet with OTS onto head.
6. Loosen the screw (3) and move the unit for proper eye relief adjustment.
7. The OTS helmet mount has a flip-up mechanism. Push the button (5) on the side of mount and lift the unit up until the unit fixates in the top position.
8. Push the same button (6) to lower OTS to viewing position.
9. The OTS can be placed onto the right or left eye. In order to readjust the monocular for use with the other eye, take the unit off the headmount adapter, turn the unit to other side (for 180°) and mount it on the adapter through the rail on this side. Push the button (6) and move the device along the slide-rail (6) for comfortable position.

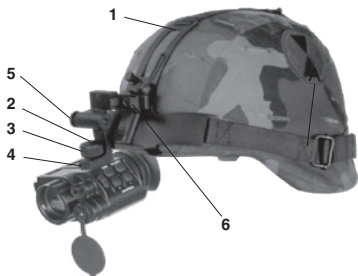


Figure 2-4. Attaching OTS to Helmet Mount

2.2.4. DUAL BRIDGE ADAPTER

The Dual Bridge Adapter is designed to connect two OTS-17 in binocular. Adapter allows also the binocular to be attached to the headmount or helmet mount.

To mount the units with Dual Bridge Adapter perform the following:

1. Align the unit and the adapter.

2. Push the clamps (2) on the front of adapter.
3. Slide the unit rearwards until the alignment boss (1) aligns with the alignment groove (3) on the adapter. Push until the unit locks into the adapter.
4. Repeat for second unit.

For detachment the unit push the clamps on the front of adapter and slide the unit forwards.



Figure 2-5. Dual Bridge Adapter

2.2.5. 2X AFOCAL LENS

2X afocal lens is optical doubler specifically designed for thermal imaging systems. Using interchangeable connectors the lens can connect to the OTS. Focal length of the system simply increases by a factor of 2. To install 2X afocal lens screw it into the objective lens of scope. OTS 2X afocal lens is shock and vibration tested.



Figure 2-6. OTS with 2X Afocal Lens

2.2.6. WEAPON MOUNT

To mount the ATN OTS-17 on the weapon perform the following:

1. Mount the weapon mount adapter (1) onto the Elcan mount system (2) with two screws M4x7.
2. Slightly loosen the mounting screw (3) on the side of weapon mount adapter.
3. Align the monocular and the scope mount adapter. Slide the scope rearwards until the alignment boss aligns with the alignment groove on the weapon mount adapter.
4. Tighten the mounting screw (3).
5. Slightly loosen the fixing screws (4) of Elcan mount.
6. Place the Elcan mount system on the dovetail mount of the firearm making sure that the mount aligns with the receptor attachment screw groove. Adjust as necessary.
7. Tighten the fixing screws (4) of Elcan mount.

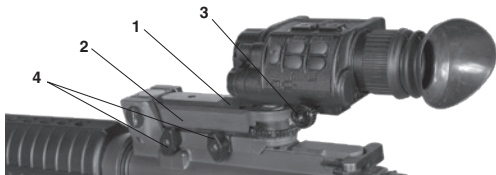


Figure 2-7. Weapon Mount

SECTION III

OPERATION

3.1. GENERAL INFORMATION

3.1.1. GENERAL

This section contains instructions for operation of OTS. The function of controls and indicators is explained.

CAUTION

The OTS scope is a precision electron-optical instrument and must be handled carefully at all times.

3.1.2. CONTROLS AND INDICATION

The OTS scope is designed to adjust for different users and corrects for most differences. The controls for the scope are shown or described in Figure 3-1 and Tables 3-1.

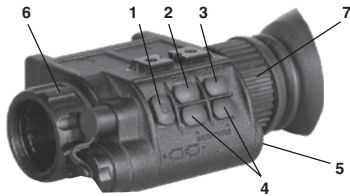


Figure 3-1. Controls

Table 3-1. Controls and Indication

ITEMS	CONTROLS AND INDICATORS	FUNCTIONS
1	ON-OFF Button	Controls scope power. To turn the unit on and off press the button .
2	ZOOM Button	Activates digital 2x/4x magnification.
3	POLARITY AND COLOR MOD Button	Push quickly to switch to between white hot and black hot. Hold down to turn on and cycle through color modes.
4	BRIGHTNESS Buttons	Adjustment of the output image brightness.
5	RECALIBRATE SWITCH Button	Cover front lens with cap or hand and push button to recalibrate image.
6	Objective Lens Focus	Focuses objective lens. Adjusts for sharpest image of viewed object.
7	Diopter Adjustment	Focuses eyepiece lens without the need for glasses. Adjusts for sharper image of intensifier screen.

3.2. OPERATING PROCEDURE

3.2.1. TURNING ON

Open the objective lens cover. The objective lens cover protects the monocular from inadvertent exposure to extremely high levels of radiant flux. Never leave the monocular with the objective lens cover off.

To turn the unit on press the button labeled ON/OFF.

After a warm-up time of approximately 5 seconds, video of the thermal scene appears.

NOTE

During the warm-up time, a logo comes into view on the monocular display. Next the thermal image replaces the logo.

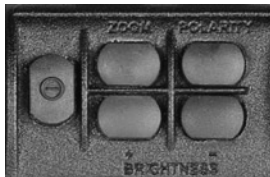


Figure 3-2. Switchboard of ATN OTS-17

3.2.2. FOCUSING

To focus the scope you need to adjust the diopter first. The scope has an adjustable eyepiece with a range of +2 to -6 diopter. Simply turn the diopter clockwise until it stops. Then concentrate on any object and slowly turn the diopter back counter clockwise until the grain in the image is sharp. Then rotate the eyecup to accommodate use over the left or right eye.

You scope has ability to focus either long range or short. Focus the front lens to rotate it until the image and the grain are both sharp.

NOTE

The front lens should be readjusted for viewing objects at different distances. Rotate the focusing ring clockwise for far focus, counterclockwise for near focus.



Figure 3-3. Focus Adjustment

3.2.3. POLARITY AND COLOR MODES

Push quickly POLARITY button to switch to between white hot and black hot. Hold down to turn on and cycle through color modes.

3.2.4. BRIGHTNESS

Press «BRIGHTNESS +» and «BRIGHTNESS -» buttons for brightness adjustment. Each short push of the buttons «BRIGHTNESS +» or «BRIGHTNESS -» raises or lowers the display brightness, correspondingly, in stepwise way.

NOTE

Levels 1 to 8 range from full dim to full bright.

3.2.5. RECALIBRATE SWITCH

Cover front lens with cap or hand and push button to recalibrate image.



Figure 3-4. Recalibrate Switch

3.2.6. ZOOM

Push ZOOM button to activate a digital zoom function. When button is pushed first time, the scope will display a scene magnified 2X. After second pushing the magnification will changed to 4X. Next pushing will reset the magnification to 1X.

3.2.7. SHUT DOWN OPERATIONS

To finish the work, perform the following:

1. Use the ON-OFF button to turn the scope off.
2. Replace the protective cover on the objective lens.
3. Replace the protective cap on the output connector socket.
4. Return the scope to the case.

3.2.8. WEAPON MOUNT ADJUSTMENT

The vertical and horizontal positions of the reticle want to be centered in their respective travel range. Typically this initial zero is then adjusted to the desired point of impact for the chosen ammunition. The self-centering refers to the position of the reticle in the scopes field of view not its position relative to the optical axis. Using the OTS weapon mount impact can be used to for initial sighting in or zero. Ideally this should be done at 200 yards or 100 yards if the ballistic curve for your chosen ammo is known.

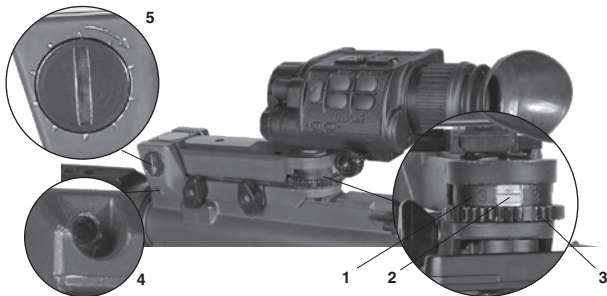


Figure 3-5. Windage and Elevation Adjustment

Referring to Figure use the following sequence:

1. Set Ballistic Cam (BC) (1) on position 2 (200 Yards) by locking the BC Lock Lever (BCL) (2) in the down position and turning it full CW as viewed from above.

2. Lock out BC by placing the BC Lock (2) in the up position and run the mount's Main Vertical Adjuster (MVA) (3) to its lowest setting by turning it full CW, also.

3. Loosen the Windage Lock Screw (WLS) (4) and center the mount's Windage Screw (WS) (5). Loosen and retighten the WLS screw (4) after all windage adjustments. The mount is now positioned for initial sight in at 200 yards.

4. Using the following graduations sight scope in for 200 yard zero utilizing only the mounts adjusters (MVA) (3) and (WS) (5).

Absolute zero may not be attainable with (MVA) (3) due to coarseness of clicks, but get as close as possible.

Out to 200 Yards Engage BCL (2) and use the integral Ballistic Cam to adjust elevation zero in 100 yard increments. Use scope's internal (turret) adjustments to fine tune.

Beyond 200 Yards Disengage BCL (2) and use Mount's MVA (3) to acquire range. Fine tune using scope's internal adjustment.

3.2.9. RETICLE PATTERNS

The ATN OTS-17 does not have a field user on/off button to activate the aiming reticle. To change the pattern contact to the service center.



Small cross



Big cross



Cross with dot



Circle



Circle with a dot



Big dot



Corner pieces



Scope

Figure 3-6. Reticle Pattern

SECTION IV

MAINTENANCE INSTRUCTIONS

4.1. PREVENTIVE MAINTENANCE CHECKS AND SERVICES (PMCS)

4.1.1. PURPOSE OF PMCS

PMCS is performed daily when in use to be sure that the sight is ready at all times. Procedures listed in Table 4-1 are a systematic inspection of OTS that will enable you to discover defects that might cause the sight to fail on a mission.

4.1.2. FREQUENCY OF PERFORMING PMCS

The frequency of performing PMCS is as follows:

- A. Daily when the sight is in use.
- B. When it is removed from the case for any reason.

Table 4-1. Preventive Maintenance Checks and Services

SEQ. NO.	ITEM TO CHECK	CHECKING PROCEDURE	NOT FULLY MISSION CAPABLE IF:
1	Completeness	Inventory items by means of comparing with the data specified in this manual.	Items missing.
2	Sight Body	Inspect for missing screws or connector cap.	Screws or connector cap missing.
3	Front Lens Cap	Inspect for cuts, tears and dirt. Clean as required.	Cap torn or cut.
4	Battery Compartment	Check for corrosion, springs tension, cap damaged or retainer broken. Check O-ring for cuts or damage.	Springs corroded or damaged. Retainer broken. Cap or O-ring damaged or missing.
5	Function Switch	Check for operation (without battery).	Switch inoperative. Knob missing.
6	Lenses	Inspect for cleanliness, scratches, chips or cracks. Clean as required.	Chipped, cracked or if scratches hinder vision through the sight.

SEQ. NO.	ITEM TO CHECK	CHECKING PROCEDURE	NOT FULLY MISSION CAPABLE IF:
7	Objective Lens	Check to ensure the objective lens is not loose.	Objective lens loose.
8	Focus Ring	Check to ensure: — the focus ring cannot be moved along the sight body; — there is free rotation of the focus ring (more than 3/4 turn).	Focus ring able to move along sight body. Focus ring cannot be rotate.
9	Rubber Eye-cup	Inspect for cuts or tears.	Rubber Eye-cup torn or cut.
AFTER CHECKING PROCEDURES			
10		Replace protective covers on the lenses. Remove the battery. Return the scope and all accessories to the storage case.	

4.2. TROUBLESHOOTING

4.2.1. GENERAL

This section contains information for locating and removal most of the OTS operating troubles which may occur. Each malfunction for an individual component or assembly is followed by a list of tests or inspections that will help determine probable causes and corrective action to take. Perform the tests/inspections and corrective actions in the order listed.

This manual cannot list all possible malfunctions that may occur, or all tests or inspections and corrective actions. If a malfunction is not listed (except when malfunction and cause are obvious), or is not corrected by listed corrective actions, contact to the service center.

4.2.2. TROUBLESHOOTING PROCEDURES

Troubleshooting procedures are listed in Table 4-2.

Table 4-2. Troubleshooting Procedures

PROBLEM	PROBABLE CAUSE	CORRECTIVE ACTION
Image is absent	Battery is missing or improperly installed.	Insert battery or install correctly.
	Battery is dead.	Replace battery.
	Battery contact surfaces or contact springs dirty or corroded.	Clean the contact surfaces with a pencil eraser and/or alcohol and cotton swabs.
Cannot achieve the sharp image of the object.	Objective and output lenses dirty.	Clean thoroughly the lenses surfaces.
	Damaged optical components.	Send the sight to the service center.

PROBLEM	PROBABLE CAUSE	CORRECTIVE ACTION
The brightness of the image on the screen is low.	The batteries has a low voltage.	Replace the batteries.
	Factory alignment broken.	Send the scope to the service center.

4.3. MAINTENANCE PROCEDURES

4.3.1. SCOPE MAINTENANCE

The OTS maintenance consists of external inspection of its components for serviceability, cleaning and installation of the standard and optional accessories. Maintenance instructions covered elsewhere in this manual (PMCS, troubleshooting, etc.) are not repeated in this section.

CAUTION

The OTS is a precision electron-optical instrument and must be handled carefully at all times to prevent damage.

4.3.2. CLEANING PROCEDURES

A. CLEANING THE SCOPE

1. Gently brush off any dirt from the sight body using only a clean soft cloth.
2. Moisten the cloth with fresh water and gently wipe the external surfaces (except lenses).
3. Dry any wet surfaces (except lenses) with another dry and clean soft cloth.
4. Using lens brush, carefully remove all loose dirt from the lenses.
5. Slightly dampen a cotton swab with ethanol and lightly and slowly wipe the lenses. Clean the glass surfaces by circular movements from the centre to the edge, not touching the

lens holder and changing cotton swab after each circular stroke. Repeat this step until the glass surfaces are clean.

B. CLEANING OF ACCESSORIES

Clean accessories with a soft brush (cloth) and soap and water as required.

CAUTION

Dry thoroughly each item before replacing into the storage case.

4.3.3. PREPARING FOR EXTENDED STORAGE

To prepare the OTS for extended storage, perform the following:

1. Check the monocular for serviceability as outlined in item 4.1 of this manual.
2. Remove the batteries.
3. Clean the monocular and accessories.
4. Replace all items in the case.

4.3.4. HEADMOUNT MAINTENANCE

A. REMOVAL AND INSTALLATION OF BROWPAD

1. Remove old browpad (Figure 4-1) by grasping the headband.
2. Replace the browpad by gently pressing on the new browpad and smoothing out any wrinkles in new browpad.



Figure 4-1. Removal and Installation of Browpad

B. REMOVAL AND INSTALLATION OF CHINSTRAP

1. Remove the chinstrap (Figure 4-2) by unsnapping the Velcro tape from the left side of the headband. Unbuckle the chinstraps from narrow strap assembly.
2. Replace the chinstrap by using the Velcro tape on the left side of the headband. Lace the right straps into their respective sliding bar buckles on the right side of the headband for correct lacing (Figure 4-2).

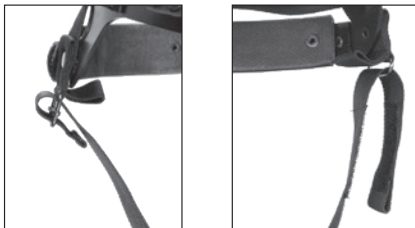


Figure 4-2. Removal and Installation of Chinstrap

C. REMOVAL AND INSTALLATION OF CHIN CUP

1. Remove the chinstrap (Figure 4-3) by unsnapping the Velcro tape from the left side of the headband.
2. Replace the chin cup by sliding the cap on the chinstrap. Fix the Velcro tape onto the place.



Figure 4-3. Removal and Installation of Chin Cup

APPENDIX A

SPARE PARTS LIST

The Spare Parts List is an illustrated catalog of main parts and assemblies completing the OTS system.

Therefore, in case of failure of any part or assembly User could replace it by ordering the corresponding part/assembly from the Spare Parts List. The amount and assortment of the spare parts needed should be arranged with each contract individually.

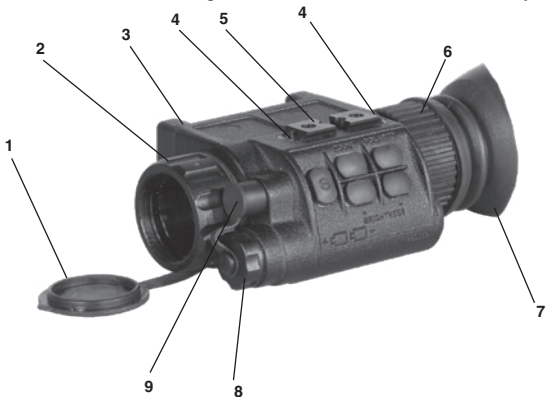


Figure A-1. OTS Scope

Table A-1. OTS-17 spare parts list

PART NO.	DESCRIPTION	FIG	ITEM	QTY
AT 88831.000	Scope	A1		
AT 88831.001	Lens Cap	A1	1	1
AT 88831.002	Focusing Ring	A1	2	1
AT 88831.003	Housing	A1	3	1

PART NO.	DESCRIPTION	FIG	ITEM	QTY
AT 88831.004	Screw	A1	4	2
AT 88831.005	Rail	A1	5	1
AT 88831.006	Eye Piece	A1	6	1
AT 88831.007	Rubber Eye-cup	A1	7	1
AT 88831.008	Battery Cap	A1	8	1
AT 88831.009	Connector Cap	A1	9	1

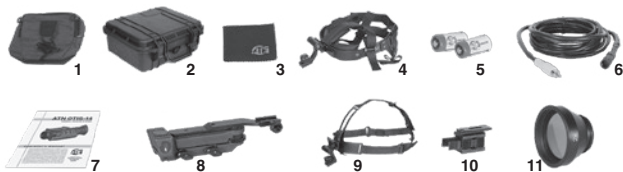


Figure A-2. OTS-17 Accessories

Table A-2. OTS-17 Accessories parts list

PART NO.	DESCRIPTION	FIG	ITEM	QTY
	Accessories 1	A2		
AT 88832.000	Soft Case	A2	1	1
AT 88833.000	Storage Case	A2	2	1
AT 88834.000	Lens Tissue	A2	3	1
AT 88835.000	Headmount Assembly	A2	4	1
AT 88836.000	CR123A Battery	A2	5	1
AT 88837.010	RCA Video cable	A2	6	1
AT 88838.000	Operator's Manual	A2	7	1

PART NO.	DESCRIPTION	FIG	ITEM	QTY
AT 88839.000	Weapon Mounting System	A2	8	1
AT 88841.000	Flip-up Helmet Mount	A2	9	1
AT 88842.000	Dual Bridge	A2	10	1
AT 88843.000	Afocal 2X Lens	A2	11	1



Figure A-3. Headset Assembly

Table A-3. Headset Assembly

PART NO.	DESCRIPTION	FIG	ITEM	QTY
AT 88835.0001	Screw	A3	1	1
AT 88835.0002	Mount Assembly	A3	2	1
AT 88835.0003	Headset	A3	3	1
AT 88835.0004	Chinstrap	A3	4	1
AT 88835.0005	Headpad	A3	5	1
AT 88835.0006	Browpad	A3	6	1
AT 88835.0007	Chin Cup	A3	7	1

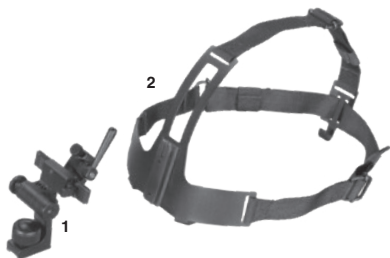


Figure A-4. Helmet Mount Assembly

Table A-4. Helmet Mount Assembly

PART NO.	DESCRIPTION	FIG	ITEM	QTY
AT 88841.0001	Screw	A4	1	1
AT 88841.0002	Mount Assembly	A4	2	1

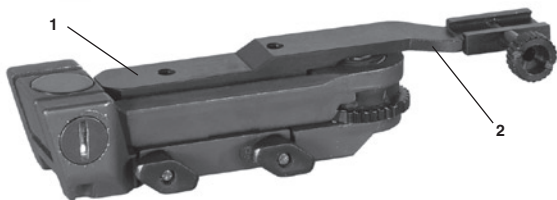


Figure A-5. Weapon Mounting System

Table A-5. Weapon Mounting System

PART NO.	DESCRIPTION	FIG	ITEM	QTY
AT 88839.0001	Weapon mount adapter	A5	1	1
AT 88839.0002	Elcan mount system	A5	2	1



For customer service and
technical support, please contact
American Technologies Network Corp.

North American Office:

1341 San Mateo Avenue

South San Francisco, CA 94080

phone: 800-910-2862, 650-989-5100

fax: 650-875-0129

www.atncorp.com